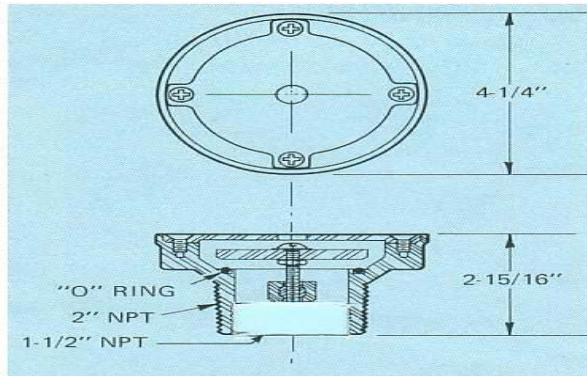


Swimming Pool Fittings & Drains



FLOOR INLET

FULLY ADJUSTABLE

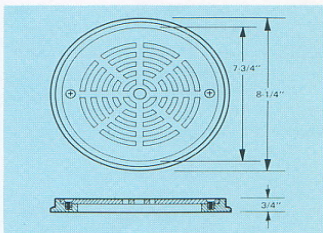


White Body and
Flush Diffuser Plate.

| MODEL NO. | DESCRIPTION |
|-----------|-------------------|
| SP-1425 | 1½" FIP x 2" MIP |
| SP-1425S | 1½" Skt. x 2" MIP |

Installs in pool floor to provide uniform, efficient, high velocity 360° distribution of water. Top diffuser plate is stationary and automatically provides proper flow angle away from floor to prevent staining or erosion. A full range of tamperproof flow settings, plus line testing and winterizing, is achieved by means of an internal spinner valve disc and O-ring seal.

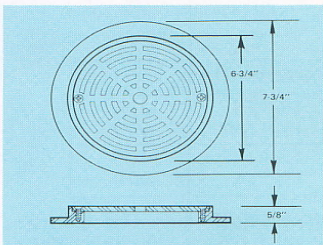
ROUND FRAMES & GRATES



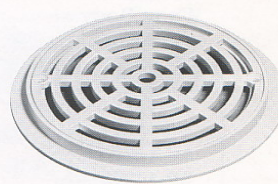
Open Area — 13 sq. in.



SP-1030
7¾" Diam., White,
with securing screws.



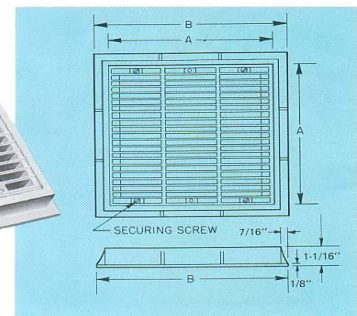
Open Area — 14 sq. in.



SP-1028
6¾" Diam., White,
with securing screws.

SQUARE FRAMES & GRATES

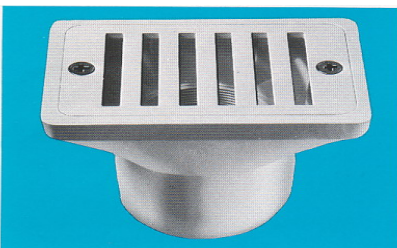
Beautifully designed, generous open areas and deep vertical ribs for extra strength. Totally non-corrosive and non-conductive.



9", 12" and 18"

| MODEL NO. | SIZE | DIM. A | DIM. B | SECURING SCREWS | OPEN AREA |
|-----------|-----------|-----------|---------|-----------------|-------------|
| SP-1031 | 9" x 9" | 8-15/16" | 10-1/2" | 4 | 44 sq. in. |
| SP-1032 | 12" x 12" | 11-15/16" | 13-1/8" | 4 | 78 sq. in. |
| SP-1033* | 18" x 18" | 17-3/4" | 19-3/8" | 8 | 176 sq. in. |

*Four compartment, heavily Ribbed Frame receives Four (4) 9" x 9" Grates.



GUTTER DRAIN

ATTRACTIVE and
STREAMLINED

| MODEL NO. | DESCRIPTION |
|-----------|--|
| SP-1019 | 2" FIP plus 2" Socket Connection. White Body and Grate. |

