

# Ladders

Paragon manufactures a wide assortment of quality ladders to meet every conceivable pool use. Ladders feature stainless steel tubing, 1.900" O.D. Steps are injection-molded Cylolac. Ladders are furnished

with stainless steel hardware and white rubber bumpers. Order Anchor Sockets and Escutcheon Plates separately (see Page 12) Custom fabrication to your design and dimensions is also available.

## Cross-Braced

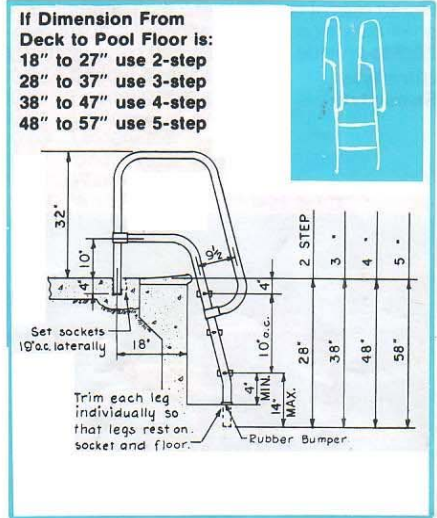
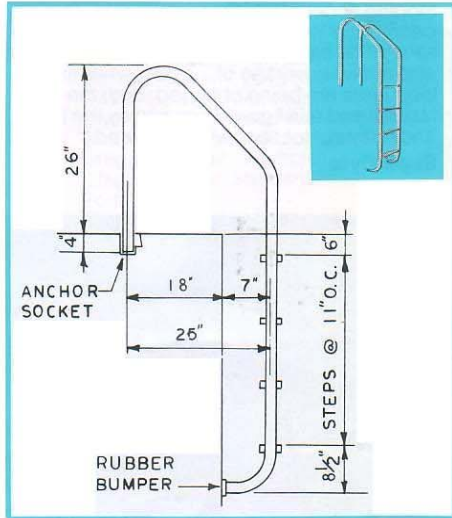
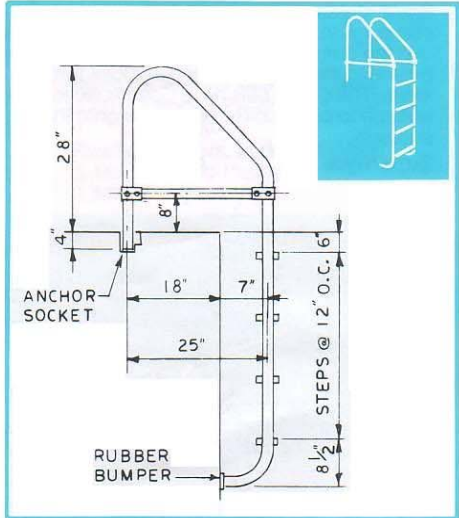
Recommended for heavy-duty use in public and institutional pools. Reinforced with cross braces for extra rigidity.

## Vertical

General purpose ladder for all types of pool. Similar to preceding but without cross braces.

## Therapeutic

Designed for hospital or treatment pools. Sloping design, handrails, and more closely spaced steps permit easier entry by the infirm or elderly.



Ask for Specification Sheet 30.01

Ask for Specification Sheet 30.03

Ask for Specification Sheet 30.21

## Catalog Numbers

|        | Cross Braced |        |        | Vertical |         |         | Therapeutic |         |         |
|--------|--------------|--------|--------|----------|---------|---------|-------------|---------|---------|
|        | .145"        | .109"  | .065"  | .145"    | .109"   | .065"   | .145"       | .109"   | .065"   |
| 2 step | A2145S       | A2109S | A2065S | A12145S  | A12109S | C12065S | M62145S     | M62109S | M62065S |
| 3 step | A3145S       | A3109S | A3065S | A13145S  | A13109S | C13065S | M63145S     | M63109S | M63065S |
| 4 step | A4145S       | A4109S | A4065S | A14145S  | A14109S | C14065S | M64145S     | M64109S | M64065S |
| 5 step | A5145S       | A5109S | A5065S | A15145S  | A15109S | C15065S | M65145S     | M65109S | M65065S |

## Grab Rails

Most competitive pools are designed with unobstructed racing lanes and steps built or cast into the pool wall. For such pools,

grab rails are necessary to provide for safe entry and exit. Three styles are available in stainless steel, 1.900" O.D. Order Anchor

Sockets and Escutcheon Plates separately (see Page 12). Custom fabrication to your design and dimensions is also available.

### Figure 4

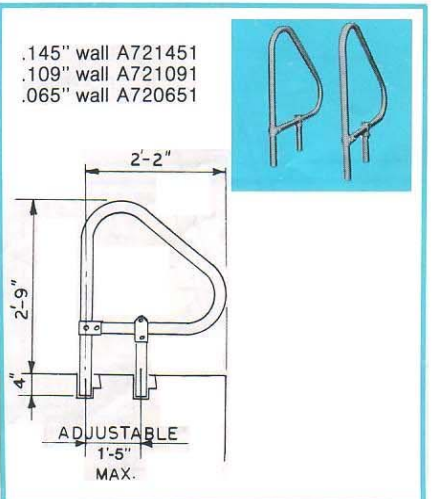
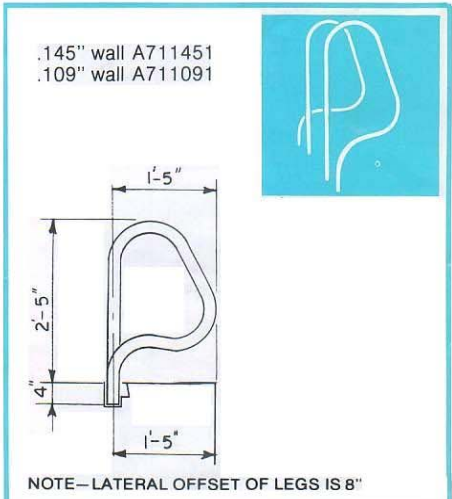
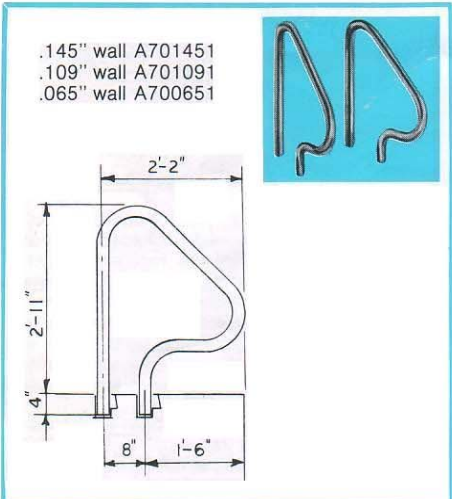
General purpose design for wide, flat decks without unusual curbs.

### Pretzel Bend

Requires least amount of deck width for anchorage. Recommended for pools where deck or walking space is limited.

### Adjustable

Features closed design with adjustable front leg for additional strength and rigidity. Recommended for pools where unusual curbs or trenches preclude the use of other types of grab rail.



Ask for Specification Sheet 20.41

Ask for Specification Sheet 20.43

Ask for Specification Sheet

