

POOL PUMPS



 **EMAUX**
Pool and Spa Systems.



DESIGN PATENT
© 2008 EMAUX LLC

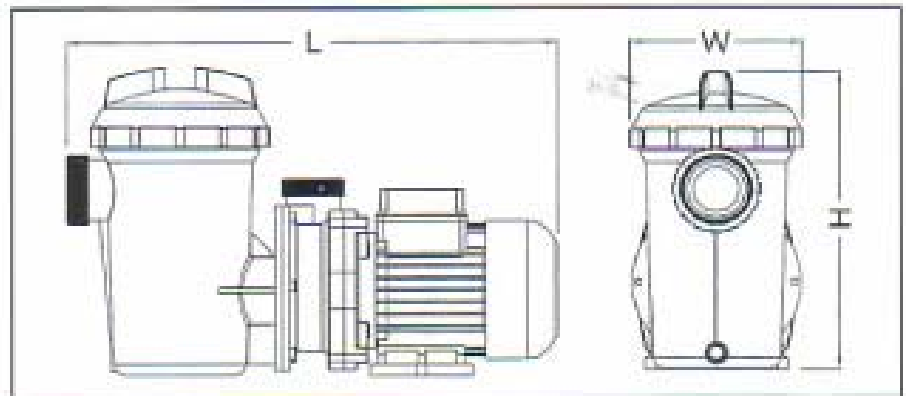
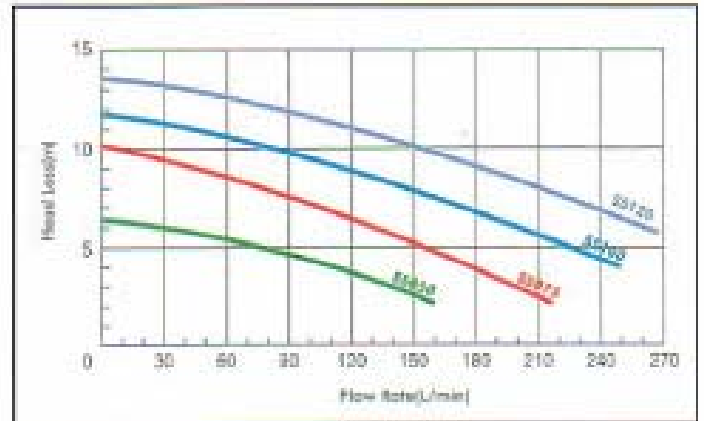
The "SS" Series range of swimming pool and spa pool pumps are designed for the most domestic pool filtration applications. The high performance pump is manufactured from a premium grade UV stabilized reinforces thermoplastic material, incorporate with an up grade corrosion resistant aluminum motor housing as a standard heavy duty accomplished for its quieter operation.



"SS" Series Mini Centrifugal Pump

Standard features include:

- * See through trap lid eliminates the guess work, for knowing when the basket needs cleaning.
- * High set of ground insulated motor cradle for water and corrosion protection.
- * Rapid self priming capability with patented internal heat sink ensures minimum cooling of the seal, extends shaft and seal life.
- * Through test repeatedly, guarantee the real output power.
- * Low cost of spare parts.
- * IP55 Waterproof Standard.
- * CE Europe Standard
- * Five-Year Limited Pump Housing Warranty.



TECHNICAL CHARACTERISTICS

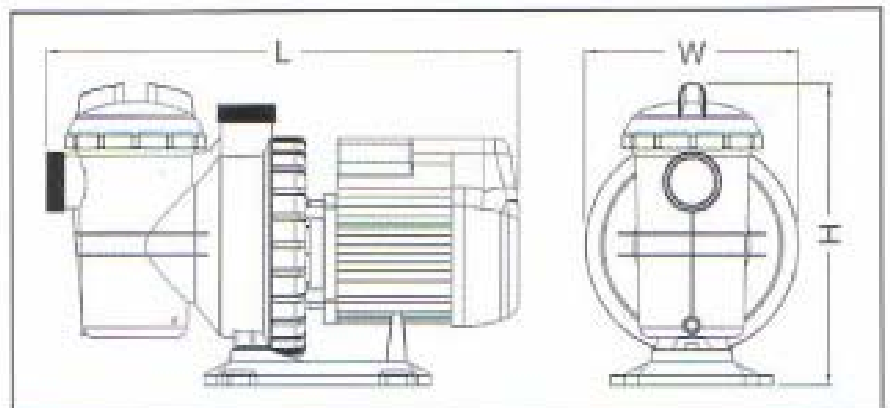
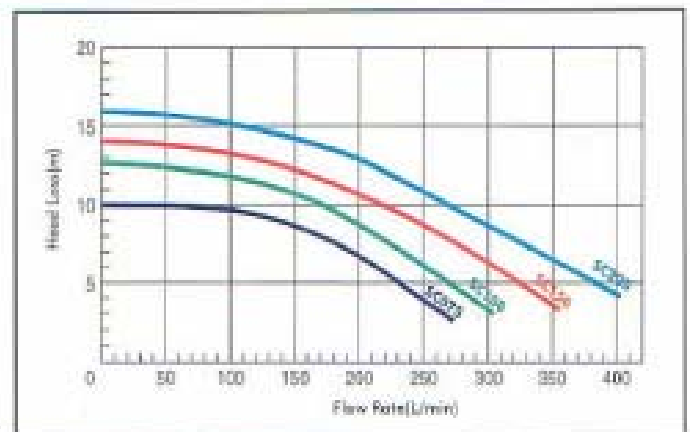
Model No.	Power (kW)	HP	Length (mm)	Width (mm)	Height (mm)	Weight (kg)	Size (inch/mm)	Voltage (v)	Phase
SS050	0.37	0.5	485	155	278	8.03	1.5/40	220/380	1 / 3 Phase
SS075	0.55	0.75	485	155	278	9.01	1.5/40	220/380	1 / 3 Phase
SS100	0.75	1	485	155	278	9.09	1.5/40	220/380	1 / 3 Phase
SS120	0.90	1.2	485	155	278	11	1.5/40	220/380	1 / 3 Phase

"SC" Series Economic Centrifugal Pumps

All components of EMAUX "SC" Economic Centrifugal Pumps are designed for maximum performance and economy in a swimming filtration system. "SC" Pumps are easy to install & maintain and deliver a dependable medium head performance. Besides they are extremely quiet in operation.

Standard features include:

- * Corrosion protected shell to prevent water directly contacting with motor.
- * Exclusive double ring-lock design give "tool free" access to pumps internals.
- * Extremely quiet operation.
- * Low energy consumption.
- * Easily assemble pump basket.
- * Design for easy maintenance and repairs.
- * Low cost of spare parts.
- * Through test repeatedly, guarantee real output power.
- * IP55 Waterproof Standard.
- * CE Europe Standard.
- * Five-Year Limited Pump Housing Warranty.



TECHNICAL CHARACTERISTICS

Model No.	Power (kW)	HP	Length (mm)	Width (mm)	Height (mm)	Weight/Port (kg)	Size (inch/mm)	Voltage (v)	Phase
SC075	0.56	0.75	533	240	335	12.1	1.5/40	220/380	1 / 3 Phase
SC100	0.75	1	533	240	335	13.4	1.5/40	220/380	1 / 3 Phase
SC150	1.10	1.5	533	240	335	14.9	1.5/40	220/380	1 / 3 Phase
SC200	1.50	2	533	240	335	15.4	1.5/40	220/380	1 / 3 Phase

"SB" Series Extreme Centrifugal Pumps

EMAUX "SB" Series Extreme Centrifugal Pump is engineered to deliver ultra performance to both high and medium head installations in large-sized swimming pool and commercial spas. This high flow pump is design to exceed to exceed builder, service professional and customer requirements.

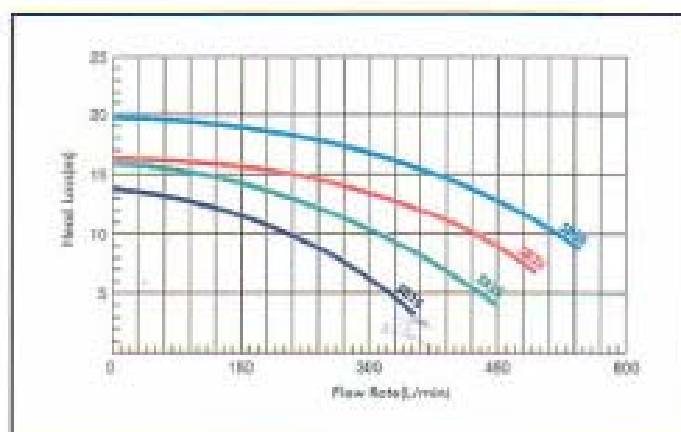
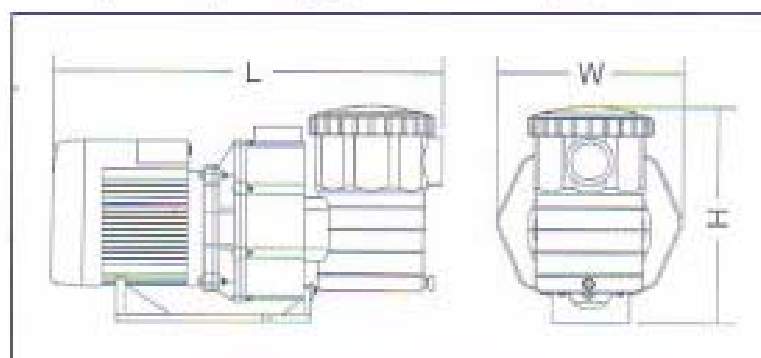
Standard features include:

- * Corrosion protected shell to prevent water directly contacting with motor.
- * Easily assemble pump basket.
- * Pump basket size to allow twice normal dirt load before cleaning.
- * High performance to ensure maximum turnover rate of water.
- * Improved suction characteristics to ensure maximum efficiency form automatic sweeper.
- * Exclusive double ring-lock design give "tool free" access to strainer basket.
- * Lid designed to eliminate suction leaks and to allow positive checking of lid seal under load.
- * Design for easy maintenance and repairs.
- * Through test repeatedly. guarantee real output power.



"SB" Series Extreme Centrifugal Pump

- * Low cost of spare parts.
- * IP55 Waterproof Standard.
- * CE Europe Standard
- * Five-Year Limited Pump Housing Warranty.



TECHNICAL CHARACTERISTICS

Model No	Power (kW)	HP	Length (mm)	Width (mm)	Height (mm)	WeightPart (kg)	Size (inch/mm)	Voltage (v)	Phase
SB10	0.75	1	600	280	350	16	2/50	220/380	1 / 3 Phase
SB15	1.10	1.5	600	280	350	17	2/50	220/380	1 / 3 Phase
SB20	1.50	2	610	280	350	23	2/50	220/380	1 / 3 Phase
SB30	2.20	3	610	280	350	24	2/50	220/380	1 / 3 Phase



Showroom : 937-9 Corner Sukhumvit 51, Bangkok 10110 Thailand.
Tel : 0 2259 6248-9 Fax : 0 2258 4773

Head office : 910 Srinakarin Rd, Suanlung, Bangkok 10230 Thailand.
Tel : 0 2362 5142-58 (17 lines auto) Fax : 0 2362 5159

www.poolspa.co.th

email : sales@poolspa.co.th

Your Dealer: