

SPA BATH PUMPS



EMAUX
Pool and Spa Systems.

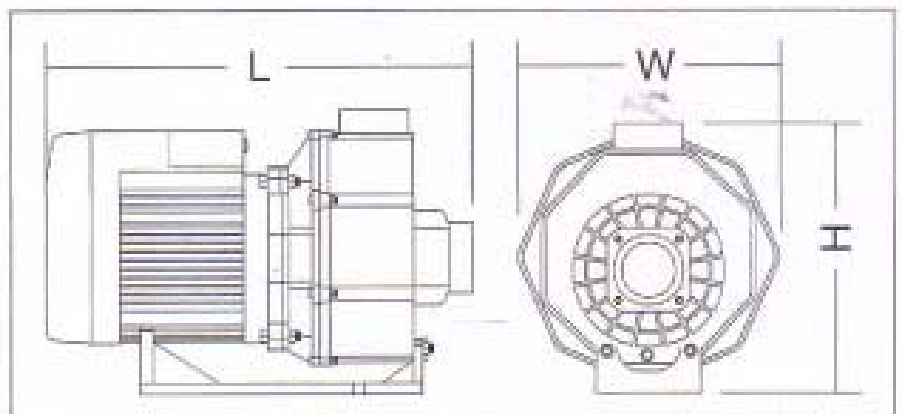
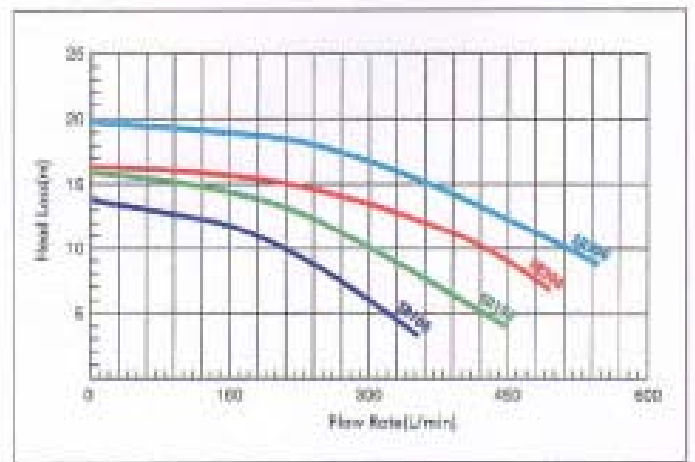


APPROVED DESIGN PATENT
C. 2000043897 / 1. 2000001009

EMAUX "SR" Series Centrifugal Pump without strainer custom designed for the specific demands of water features such as fountains, waterfalls and other special pool features.

Standard features include:

- * High performance to ensure maximum turnover rate of water.
- * Quiet operation.
- * Pump components are custom molded of thermoplastic for superior strength and durability.
- * Corrosion protected shell to prevent water directly contacting with motor.
- * Designed for easy maintenance and repairs.
- * Durable custom molded components.
- * Low cost of spare parts.
- * IP55 Waterproof Standard.
- * Five-Year Pump Housing Limited Warranty.



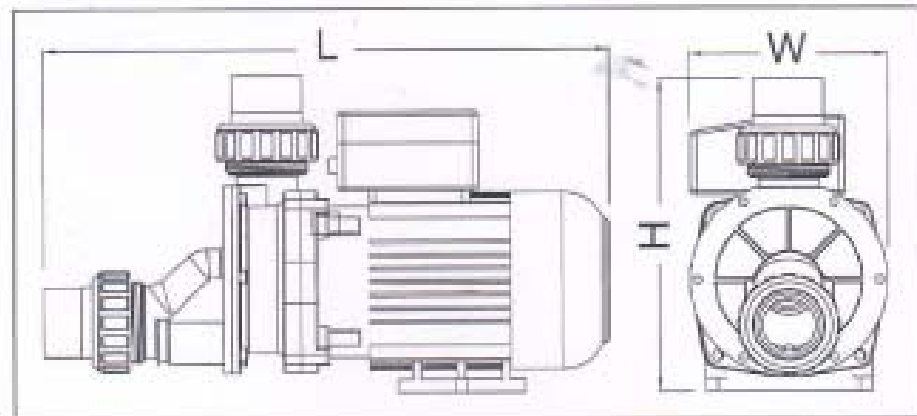
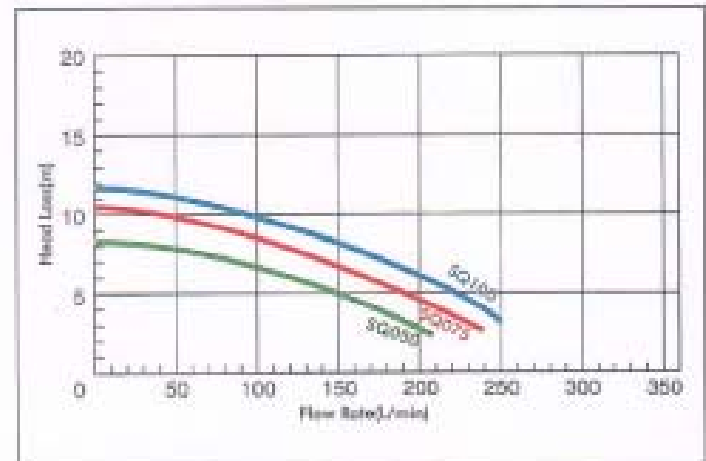
TECHNICAL CHARACTERISTICS

Model No.	Power (kW)	HP	Length (mm)	Width (mm)	Height (mm)	Weight (kg)	Port Size (mm)	Voltage (V)	Phase
SR100	0.75	1	448	275	310	14.7	50	220	Single-Phase
SR150	1.10	1.5	448	275	310	16.3	50	220	Single-Phase
SR200	1.50	2	448	275	310	19.7	50	220	Single-Phase
SR300	2.20	3	448	275	310	22.1	50	220	Single-Phase

The new EMAUX "SQ" Series pump offers high efficiency and performance in a totally new design. Designed to meet the flow requirements for the latest in whirlpool bath hydrotherapy features, the new SQ series pump establishes a new standards of performance across its available horsepower ranges.

Standard features include:

- * Available in 1/2, 3/4 and 1 HP.
- * Split Phase or PSC motor construction.
- * Available in 220V or 110V and 60Hz or 50HZ.
- * Dry run mechanical seal for reliability.
- * Easily install unions.
- * Quiet operation.
- * Low cost of spare parts.
- * IP55 Waterproof Standard.
- * Five-Year Pump Housing Limited Warranty.



TECHNICAL CHARACTERISTICS

Model No.	Power (kW)	HP	Length (mm)	Width (mm)	Height (mm)	WeightPort (kg)	Size (mm)	Voltage (V)	Phase
SQ050	0.50	0.5	435	150	254	7.3	40	220/110	Single-Phase
SQ075	0.55	0.75	435	150	254	8.2	40	220/110	Single-Phase
SQ100	0.75	1	435	150	254	9.1	40	220/110	Single-Phase

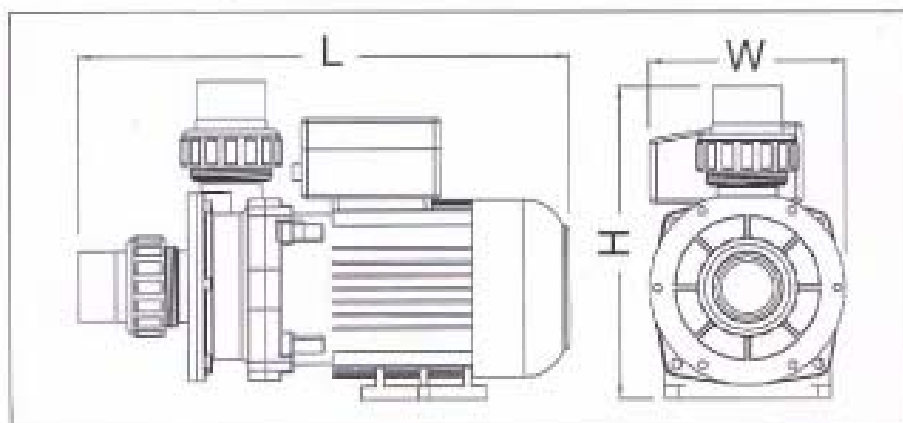
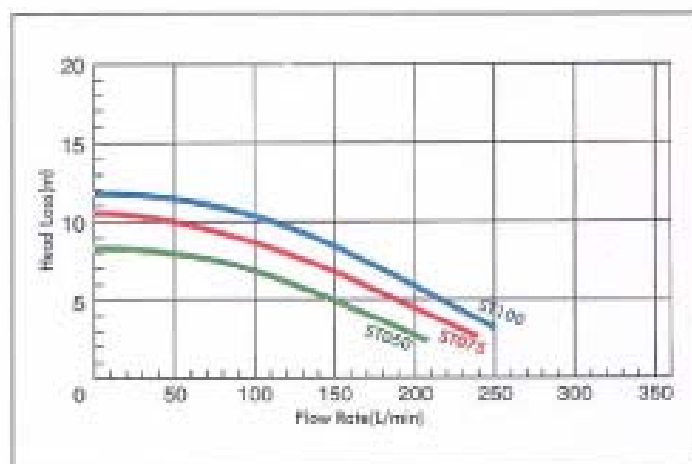
"ST" Series Spa Bath Pump, high performance pumps for portable spas, jetted bath tubs and hot tubs. Quick release compression fittings allow for easy service vertically and horizontally. In many applications our outstanding flow rates will allow you to use a lower horsepower pump to do the same job. Less horsepower means less operating costs.

Standard features include:

- * Available in 1/2, 3/4 and 1 HP.
- * Split Phase or PSC motor construction.
- * Available in 220V or 110V and 60Hz or 50HZ.
- * Dry run mechanical seal for reliability.
- * Easily install unions.
- * Quiet operation.
- * Low cost of spare parts.
- * IP55 Waterproof Standard.
- * Five-Year Pump Housing Limited Warranty.



"ST" Series Spa Bath Pumps



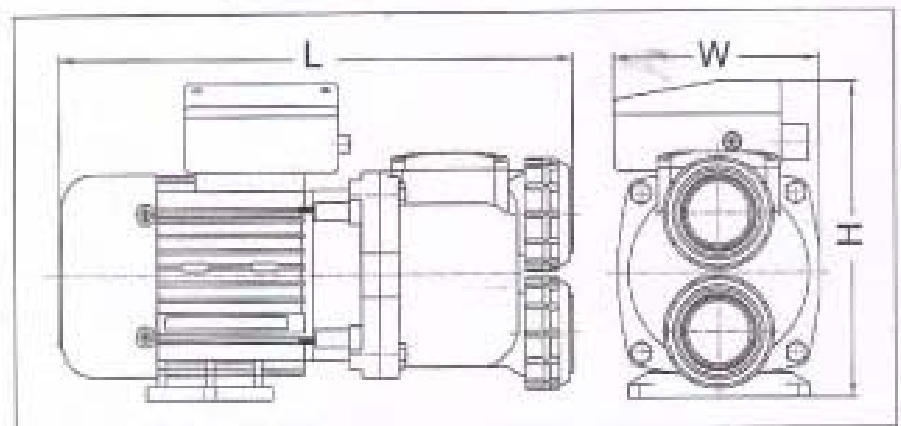
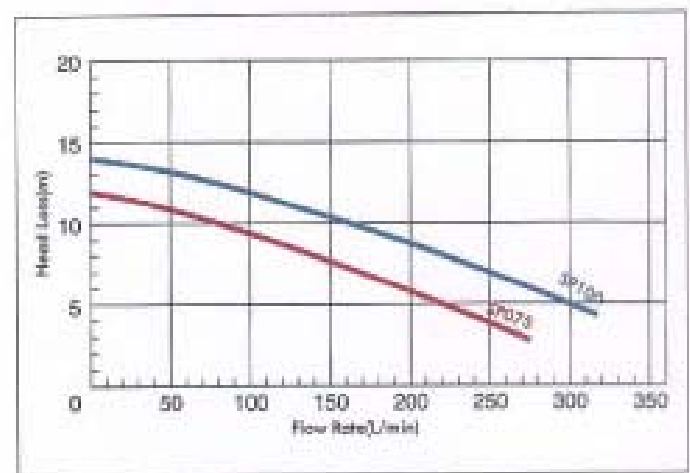
TECHNICAL CHARACTERISTICS

Model No.	Power (kW)	HP	Length (mm)	Width (mm)	Height (mm)	Weight Part (kg)	Size (mm)	Voltage (V)	Phase
ST050	0.50	0.5	370	150	252	7.3	40	220/110	Single-Phase
ST075	0.55	0.75	370	150	252	8.2	40	220/110	Single-Phase
ST100	0.75	1	370	150	252	9.1	40	220/110	Single-Phase

EMAUX "SP" Series Spa Bath Pump is produced to accommodate spa baths. "SP" Pump is electricity saved and ultra quiet operations. It is streamlined and compact design with concealed motor shaft constraint makes "SP" Pump easy to install even in the situation, especially the tightest space with high humidity. Full range of models and accessories are available.

Standard features Include:

- * Streamlined compact design – attractive and simple to install.
- * Choice of models for all kinds of bath sizes.
- * Accessories available.
- * Easily install unions.
- * Quiet, safe and reliable operation.
- * Low cost of spare parts.
- * IP55 Waterproof Standard.
- * Five-Year Pump Housing Limited Warranty.



TECHNICAL CHARACTERISTICS

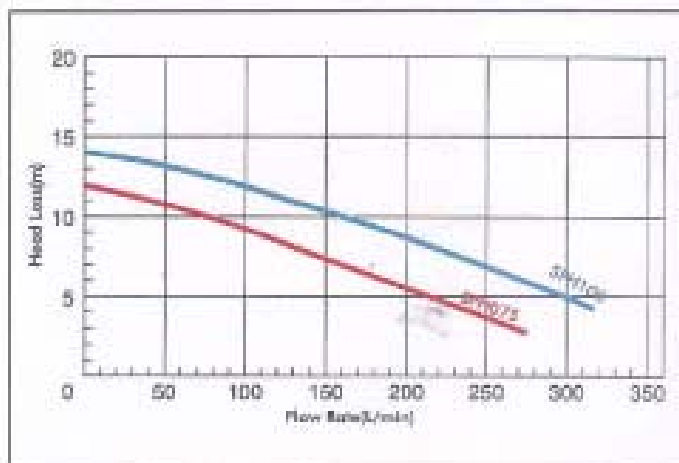
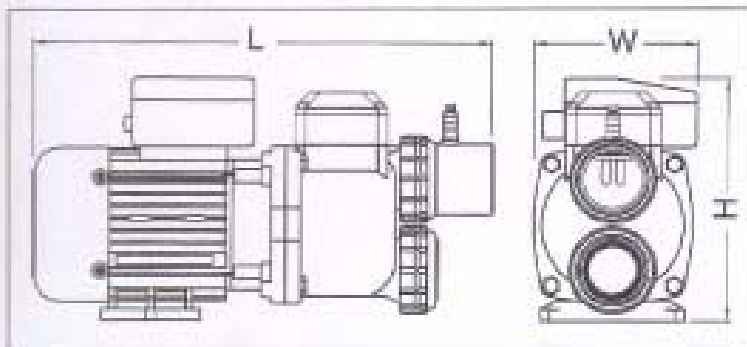
Model No.	Power (kW)	HP	Length (mm)	Width (mm)	Height (mm)	Weight(Part) (kg)	Size (mm)	Voltage (v)	Phase
SP075	0.55	0.75	375	150	220	8.5	40	220	Single-Phase
SP100	0.75	1	375	150	220	9.1	40	220	Single-Phase

"SPH" Series Spa Bath Pumps

The "SPH" Series Spa Pool Pump has been designed to give you optimum performance in the latest designed spa pools. It incorporates a stainless steel motor shaft and heavy-duty cast iron and shield to ensure smoother, quieter running and extended bearing life. This high performance spa pump is suitable for continuous pumping applications.

Standard features include:

- * Hot pump with air switch, electronic controls and thermostat, no water protection, and accidental blockage shut down.
- * Hot pump with auto heat and built in air switch.
- * Self draining and non-clogging impeller.
- * Integrated 1.4kW or 1.8kW stainless steel heaters.
- * Extremely quiet operation.
- * Compact low profile design for ease of installation.
- * Low energy consumption pump.
- * Remote air-switch operation on all models. (Optional)
- * Over temperature protection on heater and motor.
- * Double insulated.
- * Low cost of spare parts.
- * IP55 Waterproof Standard.
- * Five-Year Pump Housing Limited Warranty.



TECHNICAL CHARACTERISTICS

Model No.	Power (kW)	HP	Length (mm)	Width (mm)	Height (mm)	Weight Part (kg)	Size (mm)	Voltage (v)	Phase
SPH075	0.55	0.75	418	150	220	8.5	40	220	Single-Phase
SPH100	0.75	1	418	150	220	9.1	40	220	Single-Phase



Showroom : 937-9 Corner Sukhumvit 51, Bangkok 10110 Thailand.
Tel : 0 2259 6248-9 Fax : 0 2258 4773

Head office : 910 Srinakarin Rd., Suanlung, Bangkok 10250 Thailand.
Tel : 0 2362 5142-59 (17 lines auto) Fax : 0 2362 5159

www.poolspa.co.th

email : sales@poolspa.co.th

Your Dealer: